



**Colonial 270
Round Front
and Colonial 270
Easy Height
Vitreous China
1.6 gal (6 l) Dual Flush
Low Consumption,
Two Piece
Washdown Toilet.**

PLUMBERS INSTALLATION INSTRUCTIONS PLEASE READ CAREFULLY BEFORE INSTALLATION

Rough in:

It is possible to fix the toilet into 10" (255mm) or 12" (305mm) rough in positions by rotating the offset adaptor.

IMPORTANT:

Reducing Wax rings must not be used when installing this toilet pan, as detailed in **Fig. 2**.

Working Water Pressure:

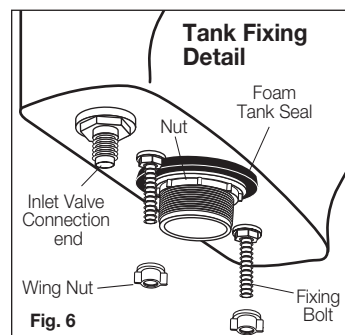
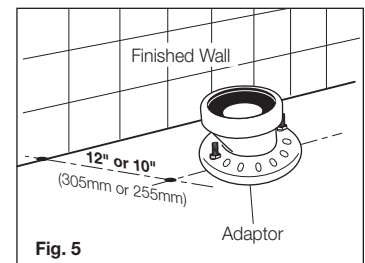
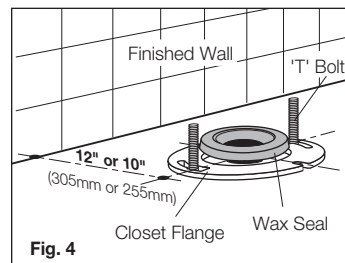
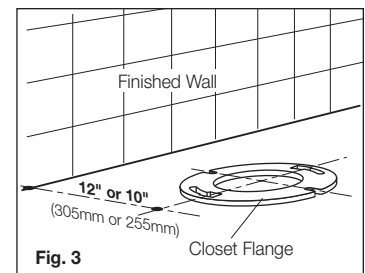
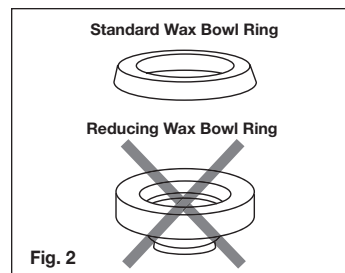
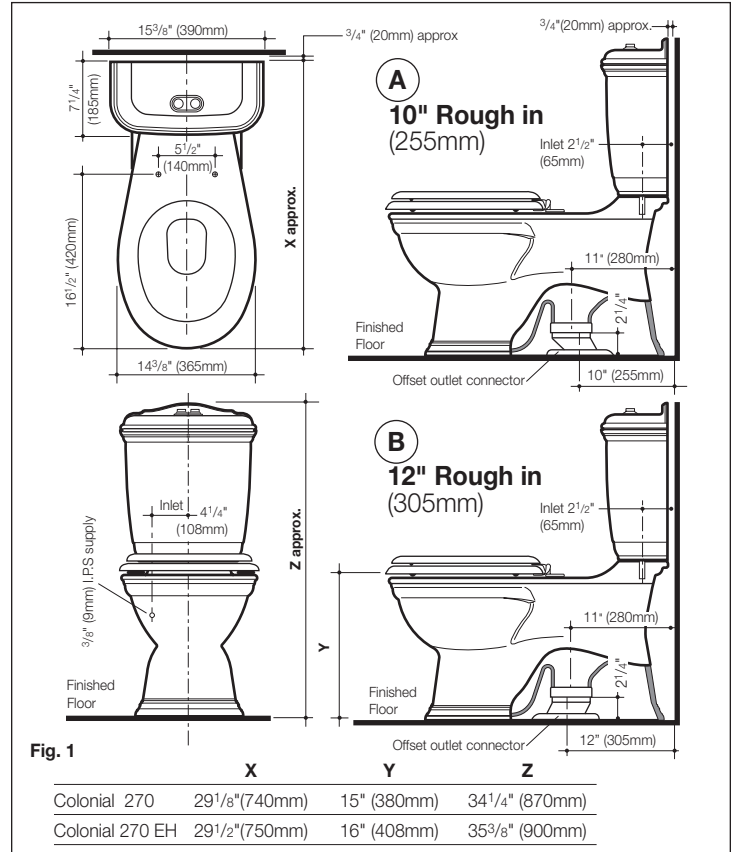
USA & Canada: Recommended working water pressure is 20-80psi (140-550Kpa).

Closet Bowl Fixing Procedure:

- 1- It is essential for the installation of the **Colonial** Two Piece Washdown that the closet flange be accurately set out from the finished wall as detailed in **Fig. 3**.
- 2- Position 'T' bolts and wax seal onto closet flange, as detailed in **Fig. 4**.
- 3- Position offset adaptor onto 'T' bolts and secure onto wax seal with nuts as detailed in **Fig. 5**, ensuring that the offset adaptor is positioned for 10" (255mm) rough in, as detailed in **Fig. 1-A** or for 12" (305mm) rough in, as detailed in **Fig. 1-B**.
- 4- Ensure that the area around the closet bowl is clean and free from building material.
- 5- It is recommended that a bead of acetic cured silicone caulking is applied fully around base of the closet bowl.
- 6- Accurately align the closet bowl over the offset adaptor and lower into position and secure closet bowl with suitable fasteners. (supplied)
- 7- Remove any excess silicone caulking.

Tank Fixing Procedure:

- 1- Ensure the foam seal is fitted onto the tail piece on the underside of the tank as detailed in **Fig. 6**.
- 2- Lower tank onto closet bowl, allowing the two tank fixing bolts protruding below the tank to locate in the corresponding holes in the closet bowl.
- 3- Fit the plastic wing nuts provided onto the tank fixing bolts which are protruding through the closet bowl and gradually tighten the left and right hand nuts by hand to evenly secure tank to closet bowl.
- 4- Connect water supply and check operation.



(N) Non standard item. (Canada)
All measurements are subject to accepted manufacturing tolerances. To ensure complete accuracy please check actual product dimensions before drilling for installation.
The manufacturer reserves the right to change specifications at any time without giving prior notification.
This product should be installed by a qualified plumber. Local authority, Water Board, and Building Regulations may apply to the installation of this product, and you should consult the appropriate bodies on these requirements. Failure to comply may invalidate the product warranty.

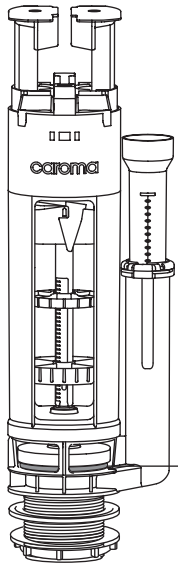
Colonial 270 Round Front and Colonial 270 Easy Height Vitreous China 1.6 gal (6 l) Dual Flush Low Consumption, Two Piece Washdown Toilet.

CLEANING INSTRUCTIONS FOR VITREOUS CHINA

To preserve the glazed surface, this toilet should be cleaned with a mild household detergent or warm soapy water.

Cistern Spare Parts — Colonial 270 Round Front and Easy Height

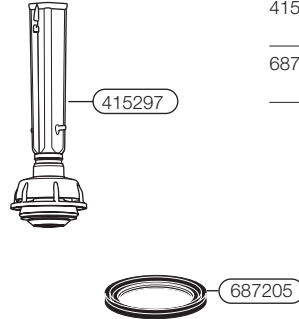
M5 Outlet Valve Replacement Parts



Code	Part Description
750017	M5 Outlet valve diaphragm seal
750299	M5 Outlet Valve

Caroma USA, Inc.
Caroma Canada Industries Limited
For spare parts contact
Internet
www.caromausa.com
Phone: 1 800 605 4218

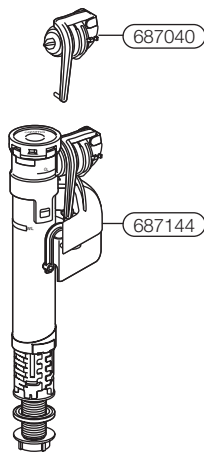
Hi-flo Outlet Valve Replacement Parts



Code	Part Description
415297	Hi-Flo Outlet Valve – Spare Part Kit
687205	Cistern Tail Seal – 2000 Series

Caroma USA, Inc.
Caroma Canada Industries Limited
For spare parts contact
Internet
www.caromausa.com
Phone: 1 800 605 4218

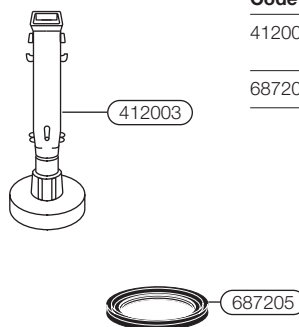
Quietflow 2 Inlet Valve Replacement Parts



Code	Part Description
687040	Quietflow 2 repair kit
687144	Quietflow 2 USA Inlet Valve

Caroma USA, Inc.
Caroma Canada Industries Limited
For spare parts contact
Internet
www.caromausa.com
Phone: 1 800 605 4218

Duo-flow Outlet Valve Replacement Parts



Code	Part Description
412003	Duo-flow Outlet Valve – Spare Part kit
687205	Cistern Tail Seal – 2000 Series

Caroma USA, Inc.
Caroma Canada Industries Limited
For spare parts contact
Internet
www.caromausa.com
Phone: 1 800 605 4218

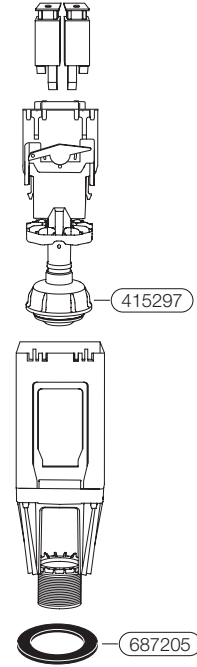
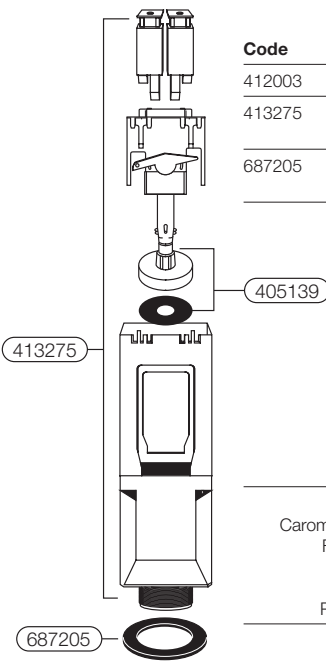


Colonial 270 Round Front and Colonial 270 Easy Height Vitreous China 1.6 gal (6 l) Dual Flush Low Consumption, Two Piece Washdown Toilet.

CLEANING INSTRUCTIONS FOR VITREOUS CHINA

To preserve the glazed surface, this toilet should be cleaned with a mild household detergent or warm soapy water.

Cistern Spare Parts — Colonial 270 Round Front and Easy Height

Hi-flo outlet valve replacement parts		Duo-flow outlet valve replacement parts																	
	<table border="1"><thead><tr><th>Code</th><th>Part Description</th></tr></thead><tbody><tr><td>687205</td><td>Cistern Tail Seal – 2000 Series</td></tr><tr><td>415297</td><td>Hi-Flo Outlet Valve – Spare Part Kit</td></tr><tr><td>415043</td><td>Hi-Flo Outlet Valve – Type HF04S</td></tr></tbody></table>	Code	Part Description	687205	Cistern Tail Seal – 2000 Series	415297	Hi-Flo Outlet Valve – Spare Part Kit	415043	Hi-Flo Outlet Valve – Type HF04S		<table border="1"><thead><tr><th>Code</th><th>Part Description</th></tr></thead><tbody><tr><td>412003</td><td>Outlet Valve Spare Part Kit</td></tr><tr><td>413275</td><td>Duo-flow Outlet Valve – Type 1</td></tr><tr><td>687205</td><td>Cistern Tail Seal – 2000 Series</td></tr></tbody></table>	Code	Part Description	412003	Outlet Valve Spare Part Kit	413275	Duo-flow Outlet Valve – Type 1	687205	Cistern Tail Seal – 2000 Series
Code	Part Description																		
687205	Cistern Tail Seal – 2000 Series																		
415297	Hi-Flo Outlet Valve – Spare Part Kit																		
415043	Hi-Flo Outlet Valve – Type HF04S																		
Code	Part Description																		
412003	Outlet Valve Spare Part Kit																		
413275	Duo-flow Outlet Valve – Type 1																		
687205	Cistern Tail Seal – 2000 Series																		
<p>Caroma USA, Inc. Caroma Canada Industries Limited For spare parts contact Internet www.caromausa.com Phone: 1 800 605 4218</p>		<p>Caroma USA, Inc. Caroma Canada Industries Limited For spare parts contact Internet www.caromausa.com Phone: 1 800 605 4218</p>																	